



Quick clamping nut

TECHNICAL FEATURE: Suitable for grinding/cutting discs from 100 mm up to 230 mm and angle grinder power below 2400 W.

Easy tightening and release.

Available mount size: M14.

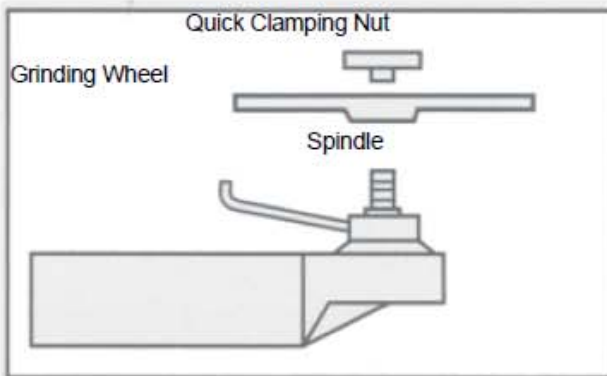
HOW TO INSTALL IT:

Place grinding/cutting wheel on spindle, making sure wheel is centered on flange.

Place the Quick Clamping Nut onto spindle, rotate clockwise and lock (2-4 Nm).

HOW TO REMOVE IT:

Grip the outer ring of the Quick Clamping Nut by hand and release it counterclockwise from the grinder spindle (2-4 Nm).



Model No.	Ø mm	Thickness mm	Thread
QCNM1 4	46,5	13,4	M14