

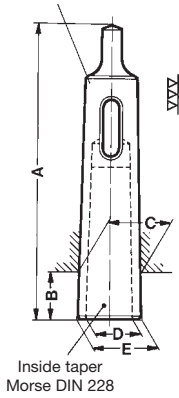
Reducing sleeves according to DIN 2185, hardened and tempered, precision ground internally and externally



Model No.	Morse taper		A mm	B mm	C mm	D mm	E mm	Packaging style	Weight g
	inside	outside							
B01	0	- 1	80	19	12.065	9.045	13.0	Individual box	30
B12	1	- 2	92	17	17.780	12.065	18.6		95
B13	1	- 3	99	5	23.825	12.065	24.1		250
B23	2	- 3	112	18	23.825	17.780	24.7		190
B14	1	- 4	124	6.5	31.267	12.065	31.6		550
B24	2	- 4	124	6.5	31.267	17.780	31.6		480
B34	3	- 4	140	22.5	31.267	23.825	32.4		360
B15	1	- 5	156	6.5	44.399	12.065	44.7		1700
B25	2	- 5	156	6.5	44.399	17.780	44.7		1520
B35	3	- 5	156	6.5	44.399	23.825	44.7		1360
B45	4	- 5	171	21.5	44.399	31.267	45.5		1020
B36	3	- 6	218	8	63.348	23.825	63.8		5300
B46	4	- 6	218	8	63.348	31.267	63.8		5010
B56	5	- 6	218	8	63.348	44.399	63.8		4200

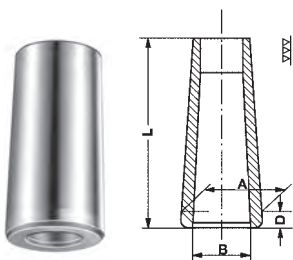
Oil toughened reducing sleeves externally precision ground with hardened tang

Outside taper Morse DIN 228



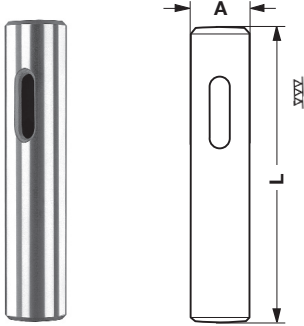
Model No.	Morse taper		A mm	B mm	C mm	D mm	E mm	Packaging style	Weight g
	inside	outside							
B01OT	0	- 1	80	19	12.065	9.045	13.0	Individual box	30
B12OT	1	- 2	92	17	17.780	12.065	18.6		95
B13OT	1	- 3	99	5	23.825	12.065	24.1		250
B23OT	2	- 3	112	18	23.825	17.780	24.7		190
B14OT	1	- 4	124	6.5	31.267	12.065	31.6		550
B24OT	2	- 4	124	6.5	31.267	17.780	31.6		480
B34OT	3	- 4	140	22.5	31.267	23.825	32.4		360
B15OT	1	- 5	156	6.5	44.399	12.065	44.7		1700
B25OT	2	- 5	156	6.5	44.399	17.780	44.7		1520
B35OT	3	- 5	156	6.5	44.399	23.825	44.7		1360
B45OT	4	- 5	171	21.5	44.399	31.267	45.5		1020
B36OT	3	- 6	218	8	63.348	23.825	63.8		5300
B46OT	4	- 6	218	8	63.348	31.267	63.8		5010
B56OT	5	- 6	218	8	63.348	44.399	63.8		4200

Reducing sleeves with plain through hole, hardened and tempered, precision ground internally and externally



Model No.	Morse taper		L mm	D mm	A mm	B mm	Packaging style	Weight g
	inside	outside						
B12TH	1	- 2	50	4	17.780	12.065	Individual box	50
B13TH	1	- 3	55	4.5	23.825	12.065		140
B23TH	2	- 3	60	4.5	23.825	17.780		90
B14TH	1	- 4	65	5.3	31.267	12.065		320
B24TH	2	- 4	70	5.3	31.267	17.780		260
B34TH	3	- 4	75	5.3	31.267	23.825		170
B25TH	2	- 5	80	6.3	44.400	17.780		770
B35TH	3	- 5	90	6.3	44.400	23.825		740
B45TH	4	- 5	95	6.3	44.400	31.267		560
B36TH	3	- 6	110	7.9	63.380	23.825		2200
B46TH	4	- 6	120	7.9	63.380	31.267		2100
B56TH	5	- 6	125	7.9	63.380	44.400		1510

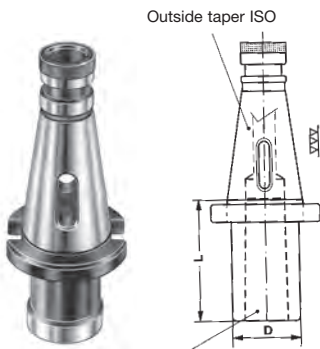
Morse taper turret sockets, hardened case, ground internally and externally



Inside taper
Morse DIN 228

Model No.	Diameter A	Morse taper	L mm	Packaging style	Weight g
TS75MT1	3/4"	1	89	Individual box	280
TS1MT1	1"	1	89	Individual box	300
TS1MT2		2	102		
TS15MT1	1.1/2"	1	89	Individual box	600
TS15MT2		2	102		770
TS15MT3		3	121		820
TS15MT4		4	153		1150
TS2MT3	2"	3	121	Individual box	1500
TS2MT4		4	153		1800
TS2125MT3	2.1/8"	3	121	Individual box	1750
TS2125MT4		4	153		2100
TS2125MT5		5	228		2500
TS25MT3	2.1/2"	3	121	Individual box	2500
TS25MT4		4	153		2900
TS25MT5		5	228		4500
TSM20MT1	20 mm	1	89	Individual box	280
TSM25MT1	25 mm	1	89	Individual box	300
TSM25MT2		2	102		
TSM30MT3	30 mm	3	121	Individual box	750
TSM40MT2	40 mm	2	102	Individual box	770
TSM40MT3		3	121		820
TSM40MT4		4	153		1150
TSM50MT3	50 mm	3	121	Individual box	1750
TSM50MT4		4	153		2100

Iso taper to Morse taper adaptors according to DIN 2080 hardened and tempered, precision ground internally and externally



Inside taper
Morse DIN 228

Model No.	Iso taper outside	Morse taper inside	D mm	L mm	Drawbolt thread	Packaging style	Weight g
ISO30MT2	30	2	34	50	M12	Individual box	400
ISO30MT3		3	40	70			600
ISO40MT2	40	2	34	50	M16	Individual box	900
ISO40MT3		3	40	65			1000
ISO40MT4		4	50	95			1300
ISO50MT3	50	3	40	65	M24	Individual box	2800
ISO50MT4		4	50	70			2800
ISO50MT5		5	65	105			3200