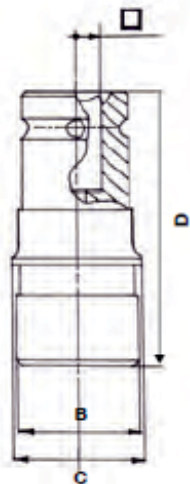
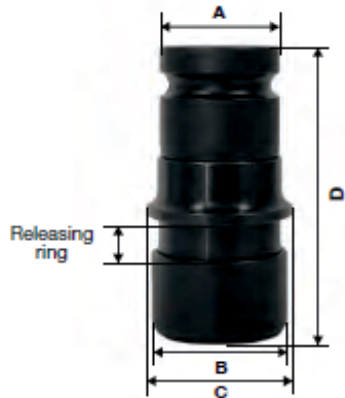


Quick change SDS converter for regular percussion power tools

New serie with 1/2" square drive

This adapter, mounted on an electric or pneumatic tool with a 1/2 " square drive allows use of SDS drill bits. Furthermore the RACSDSIH special adapter allows the drill to become a screwdriver. The replacement of the SDS bit occurs very easily through a spring ring sliding on the spindle axis. In fact, by gripping the ring, the weight of the drill opens the hooking device.

All the spindle components are made of treated steel.



Model No.	Power tool nose	A mm	B mm	C mm	D mm	Packaging style	Weight g
SDSCONV	Dr 1/2" Square	25	28	30	58	Individual box	160
SDSCONVB						Blister card	

DIFFERENT WAYS OF APPLICATION

SDS QUICK RELEASE ADAPTOR

