

Iso taper arbors hardened and tempered according to DIN 2080



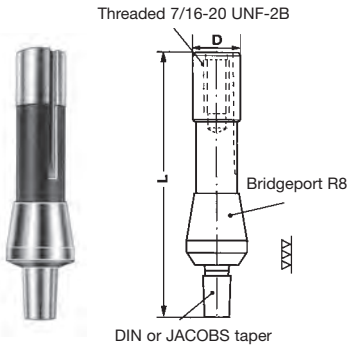
| Model No. | Iso taper | Chuck mount | Drawbolt thread | Packaging style | Weight g |
|-----------|-----------|-------------|-----------------|-----------------|----------|
| ISO30J6 | 30 | JACOBS 6 | M12 | Individual box | 425 |
| ISO30B12 | | DIN B12 | | | 420 |
| ISO30B16 | | DIN B16 | | | 425 |
| ISO40J6 | 40 | JACOBS 6 | M16 | Individual box | 970 |
| ISO40B12 | | DIN B12 | | | 965 |
| ISO40B16 | | DIN B16 | | | 970 |
| ISO40B18 | | DIN B18 | | | 970 |
| ISO50J6 | 50 | JACOBS 6 | M24 | Individual box | 2560 |
| ISO50B16 | | DIN B16 | | | |
| ISO50B18 | | DIN B18 | | | |

Parallel arbors with Jacobs taper mounts



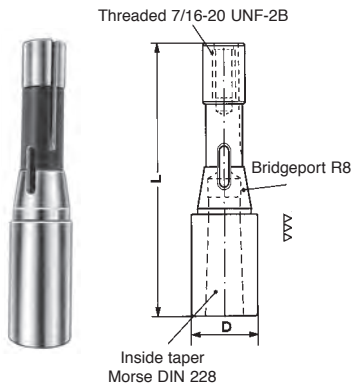
| Model No. | A | B mm | Jacobs taper mount | Packaging style | Weight g |
|-----------|------|------|--------------------|-----------------|----------|
| PA12J0 | 1/2" | 64 | 0 | Individual box | 86 |
| PA12J1 | | | 1 | | 93 |
| PA12J2 | | | 2 | | 115 |
| PA12J6 | | | 6 | | 129 |
| PA12J33 | | | 33 | | 122 |
| PA58J1 | 5/8" | 64 | 1 | Individual box | 127 |
| PA58J2 | | | 2 | | 145 |
| PA58J3 | | | 3 | | 160 |
| PA58J6 | | | 6 | | 160 |
| PA58J33 | | | 33 | | 155 |
| PA34J1 | 3/4" | 72 | 1 | Individual box | 200 |
| PA34J2 | | | 2 | | 218 |
| PA34J3 | | | 3 | | 275 |
| PA34J6 | | | 6 | | 235 |
| PA34J33 | | | 33 | | 225 |
| PA1J2 | 1" | 74 | 2 | Individual box | 349 |
| PA1J3 | | | 3 | | 355 |
| PA1J6 | | | 6 | | 365 |
| PA1J33 | | | 33 | | 365 |

Bridgeport R8 taper adaptors for chucks with DIN or Jacobs mount



| Model No. | Taper | Mount | D mm | L mm | Drawbolt thread | Packaging style | Weight g |
|-----------|---------------|-----------|-------|------|-----------------|-----------------|----------|
| CR8B16 | Bridgeport R8 | DIN B16 | 24.10 | 135 | 7/16"-20 | Individual box | 425 |
| CR8J2 | Bridgeport R8 | JACOBS 2 | 24.10 | 132 | 7/16"-20 | Individual box | 400 |
| CR8J3 | | JACOBS 3 | | 141 | | | 460 |
| CR8J6 | | JACOBS 6 | | 135 | | | 430 |
| CR8J33 | | JACOBS 33 | | 135 | | | 420 |

Bridgeport R8 taper adaptors for Morse taper



| Model No. | Taper | Morse taper | D mm | L mm | Drawbolt thread | Packaging style | Weight g |
|-----------|---------------|-------------|------|------|-----------------|-----------------|----------|
| CR8MT1 | Bridgeport R8 | 1 | 32 | 124 | 7/16"-20 | Individual box | 450 |
| CR8MT2 | | 2 | | 137 | | | 460 |
| CR8MT3 | | 3 | | 139 | | | 320 |