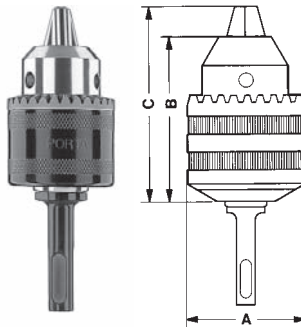


## Standard duty key operated chucks the popular chucks for portable power tools

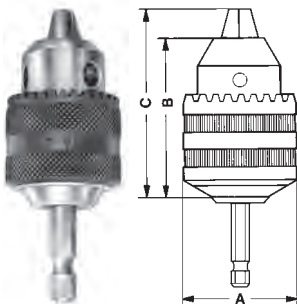
Model numbers ending in letter R indicate chuck supplied with through hole to accommodate a left hand locking screw for reversing tools.

Model No.	Drilling capacity mm	Mount	Through hole diameter mm	With key	A mm	B mm	C mm	Packaging style	Weight g					
AH06F38R AH06F38RB	0-6	Female thr. 3/8" x 24	5,5	KH810	30	40	50,5	Individual box Blister card	112					
AH10B12	1.5-10	DIN B12	-	KH810	33	49	60	Individual box	160					
AH10M38		Male thr. 3/8" x 24	-					Individual box	180					
AH10M38B		Male thr. 3/8" x 24	-					Blister card	180					
AH10F38		Female thr. 3/8" x 24	-					Individual box	165					
AH10F38R		Female thr. 3/8" x 24	5,5					Individual box	165					
AH10F38B		Female thr. 3/8" x 24	-					Blister card	165					
AH10F38RB		Female thr. 3/8" x 24	5,5					Blister card	160					
AH10F12		Female thr. 1/2" x 20	-					Individual box	160					
AH10F12R		Female thr. 1/2" x 20	6,5					Individual box	160					
AH10F12B		Female thr. 1/2" x 20	-					Blister card	160					
AH10F12RB		Female thr. 1/2" x 20	6,5					Blister card	160					
AH13B12		1.5-13	DIN B12					-	KS2	42,5	59	74	Individual box	280
AH13B16	DIN B16		-	Individual box	280									
AH13M38	Male thr. 3/8" x 24		-	Individual box	295									
AH13M38B	Male thr. 3/8" x 24		-	Blister card	295									
AH13F38	Female thr. 3/8" x 24		-	Individual box	285									
AH13F38R	Female thr. 3/8" x 24		5,5	Individual box	285									
AH13F38B	Female thr. 3/8" x 24		-	Blister card	285									
AH13F38RB	Female thr. 3/8" x 24		5,5	Blister card	280									
AH13F12	Female thr. 1/2" x 20		-	Individual box	280									
AH13F12R	Female thr. 1/2" x 20		6,5	Individual box	280									
AH13F12B	Female thr. 1/2" x 20		-	Blister card	280									
AH13F12RB	Female thr. 1/2" x 20		6,5	Blister card	280									
AH13SDS	SDS		6,5	Individual box	330									
AH13SDSB	SDS		6,5	Blister card	330									
AH16F12R	3-16		Female thr. 1/2" x 20	6,5	KS3	49,5	68	87,5					Individual box	604



AH13SDS

## Key operated chucks for screwdrivers with 1/4" hexagonal male mount to DIN 3126 - E 6.3



Model No.	Drilling capacity mm	With key	A mm	B mm	C mm	Packaging style	Weight g
AH06X1 AH06X1B	0-6	KH810	30	40	50,5	Individual box Blister card	126
AH10X1 AH10X1B	1.5-10	KH810	33	49	60	Individual box Blister card	180